



*Promoting the safe and effective use of powered access worldwide*



[www.ipaf.org/training](http://www.ipaf.org/training)

# THE PAL CARD

The sign of quality operator training



## WHAT IS A SMART PAL CARD?

A Smart PAL Card is proof that the holder of the photo ID Powered Access License (PAL) has successfully completed and demonstrated proficiency in both theory (classroom/online) and practical (hands-on) operator training compliant with country regulations and standards through IPAF's operator training program for mobile elevating work platforms (MEWPs), mast climbing work platforms (MCWPs) or Construction Hoists (CHs). It is your assurance that complete, consistent and compliant training has been obtained by the PAL Card holder.

"IPAF training is comprehensive and globally recognised in the marketplace. At Skyjack, we insist that all personnel operating MEWPs are trained using these industry-leading materials."

**Ken McDougall,**  
President,  
Skyjack

## ABOUT IPAF OPERATOR TRAINING

- Developed using over 38 years of industry experience
- MEWP training conforms to international standard: ISO 18878
- Content created using input from IPAF manufacturer members
- Focuses on safety & efficiency
- Complies with legal requirements
- Courses available in most major languages
- Comprehensive range of courses
- Delivered by highly-qualified instructors
- Remote learning available with e-Learning options
- Annually updated course content based on international feedback
- Optimum instructor: candidate ratio
- Annually audited by a global team of specialists to uphold consistency & quality of delivery

## ABOUT THE PAL CARD

- Provides reassurance! A valid PAL Card proves that the holder has undertaken the above operator training, and has passed a theory & practical test within the last five years \*
- Uses fraud-smart technology
- Validity can easily and quickly be verified online: [www.ipaf.org/checkpal](http://www.ipaf.org/checkpal)
- Recognised by manufacturers of the machines & equipment
- Internationally-recognised as the benchmark for MEWP operator training by employers, worksites & project managers

*\*may be subject to regional variation.*



**OVER 51 COUNTRIES**  
ACCEPT THE PAL  
CARD IN RECOGNITION  
OF HIGH-QUALITY  
OPERATOR TRAINING



**OVER 750**  
IPAF-APPROVED  
TRAINING CENTERS  
WORLDWIDE



**OVER 2 MILLION**  
PAL CARDS ISSUED

For more information please visit: [www.ipaf.org/pal](http://www.ipaf.org/pal)



"We chose to be part of IPAF to promote the safe and effective use of powered access equipment. We have also been working to have all of our sales, marketing and operations leads carry PAL Cards. We believe very much in creating a safe work environment for our employees and having our team complete the IPAF training is a way to demonstrate this. We want to do our best to always create a safe environment for our team."

**Terry Dolan,  
President &  
CEO, Hy-Brid Lifts**

## PAL CARD & COURSE CATEGORIES

Construction Hoists (CHs) include Goods Hoists (GHs), Transport Platform Hoists (TPHs) & Personnel Hoists (PHs)



SA



GH  
TPH  
PH



H



PAV



MCWP



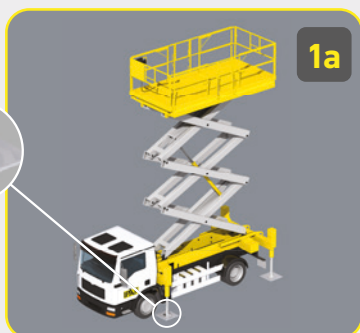
LOAD



IAD



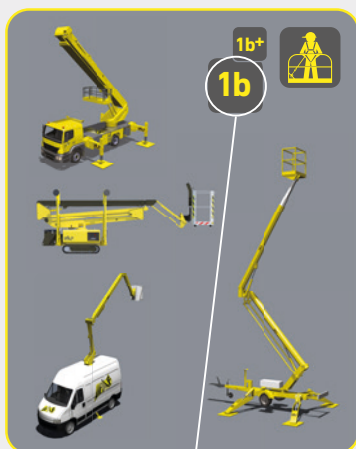
MM



1a

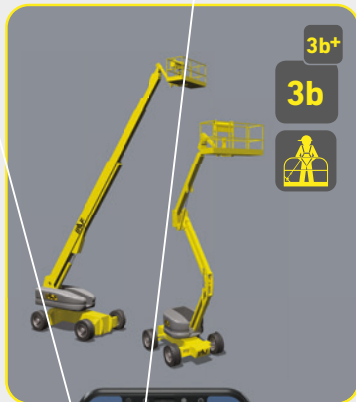


3a+



1b+

1b



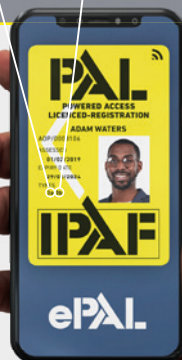
3b+

3b

### SPECIAL CATEGORIES INCLUDE:



For explanations of all category and course abbreviations, visit [www.ipaf.org/first-time-users](http://www.ipaf.org/first-time-users)





**Promoting the safe and effective use of powered access worldwide**

## FAQs

### Who needs a PAL Card?

Anyone operating a Mobile Elevating Work Platform (MEWP), a Mast Climbing Work Platform (MCWP) or a Construction Hoist (CH).

### How do I get a PAL Card?

PAL Cards are issued digitally and accessed via ePAL, IPAF's free mobile phone app. See below for more details.

### What courses are available?

For a full list of IPAF training courses, visit: [www.ipaf.org/courses](http://www.ipaf.org/courses)

### How long is the training?

Courses vary from one to three days duration.

### How much does it cost?

Each IPAF-approved training center sets its own prices. Please contact your local training center for more details.

### Is there a legal requirement for training?

In most countries there is a requirement for operators to be trained before using powered access equipment.

### How do I download the ePAL app?

Visit the IOS or Android App Store on your smartphone and look for 'IPAF ePAL'. For more information visit: [www.ipaf.org/epal](http://www.ipaf.org/epal)

### How long is the PAL Card valid for?

Five years.

*N.B. this may be subject to regional variation.*

### Can I become an IPAF member?

Yes, there are several categories of membership. Please visit:

[www.ipaf.org/join](http://www.ipaf.org/join)

### What kind of machines do I need training for?

For all types of MEWPs, MCWPs, CHs, and special categories. See previous page.

### If I have a PAL Card can I use the IPAF logo?

PAL Card holders can use the 'tick logo' which denotes operators hold a PAL Card and have completed IPAF-approved training. Download the tick logo at [www.ipaf.org/logos](http://www.ipaf.org/logos) (search for 'tick logo'). Only IPAF members can use the 'IPAF Member' logo.



IPAF ePAL



Find your nearest IPAF-approved training centre at: [www.ipaf.org/training](http://www.ipaf.org/training)